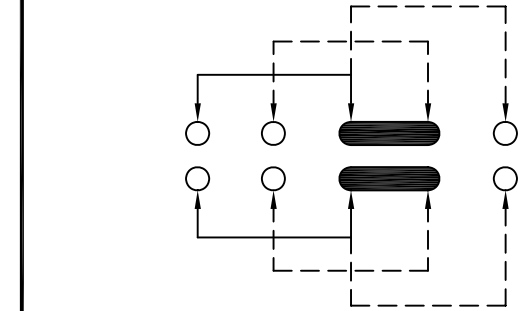
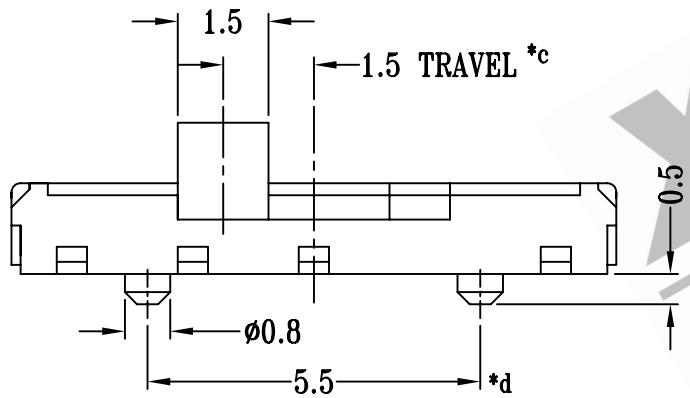
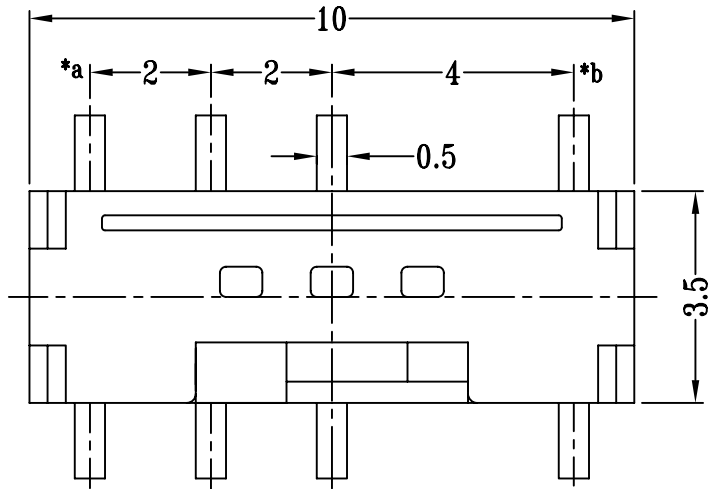
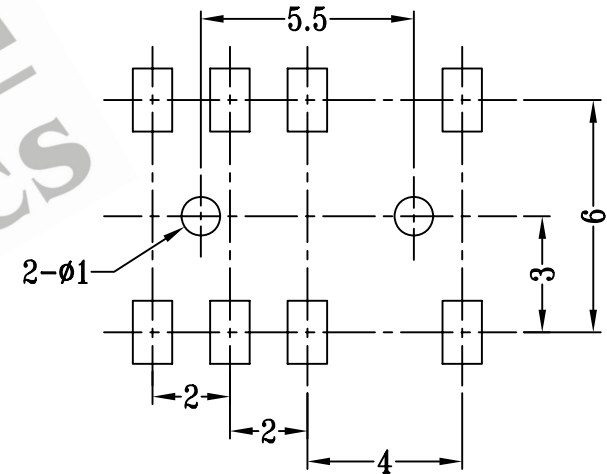


CAD FILE:



SCHEMATIC



P.C.B LAYOUT

注:带"*"表示关键尺寸(6个)

8					TOLERANCE UNLESS SPECIFIED	SHENZHEN XIEJIA ELECTRONICS CO.,LTD.				
7										
6					WITHIN 1.5±0.1mm	ISSUE	DATE	DESCRIPTIONS		APPD
5	CONTACT	PBS	2	Ag CLAD	OVER 1.5±0.2mm					
4	COVER	SUS	1	WASHING	TITLE: MINI SLIDE SWITCH		UNIT : MM	DRWG NO.: XJ-DR-MS23C01-00		
3	CASE	PBT/PBS	1	BLACK/Ag PLATED						
2	SPRING PLATE	SUS	1	WASHING	MODEL: MS-23C01		SCALE: 8 : 1	DWN	ZHOUYU	2004-5-12
1	KNOB	PBT	1	BLACK				CHK'D	FANGYING	2004-5-12
NO.	PART NAME	MATERIAL	QTY	FINISHING	ALL MATERIALS MUST BE COMPLIANT TO ROHS			APPD	KANGXINAN	2004-5-12